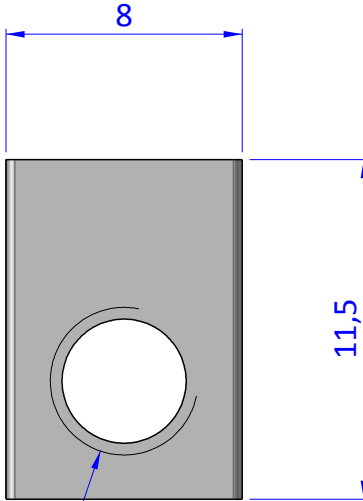
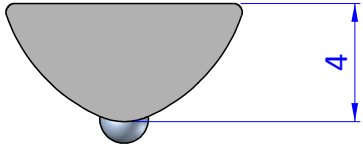
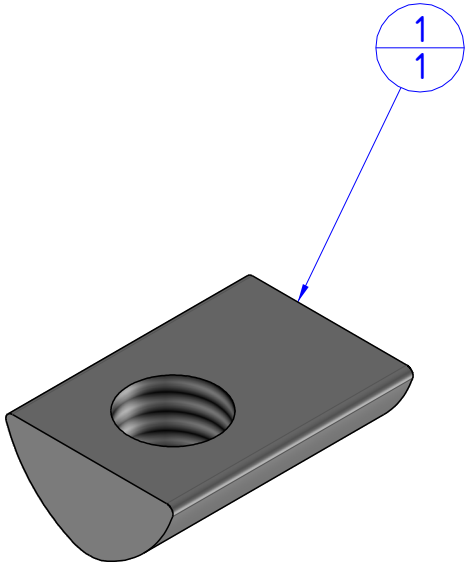


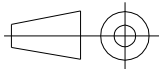
Item	Name	Q.ty
1	02.05.003	1



M5

THE PROPERTY OF THE DRAWING IS ESTABLISHED BY LAW. IT IS FORBIDDEN TO PRODUCE OR SHOW IT TO THIRD PART. WITHOUT A WRITTEN AGREEMENT.

FP SERVICES
AUTOMATION



DESIGNED FROM

FP SERVICES

REVIEW

A

DATE

03/04/2018

WEIGHT

0,002kg

CODE

CA.02.05.003

Format A4

UNI 936-76

GENERAL TOLERANCE

UNI - ISO 2768

CLASSE f

DESCRIPTION

CA.02.05.003